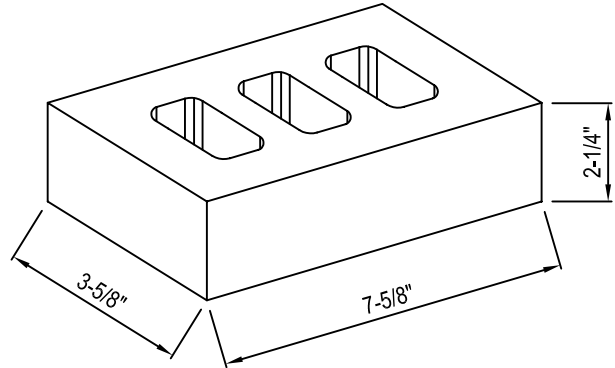




PACIFIC CLAY  
 14741 LAKE STREET  
 LAKE ELSINORE, CA 92530  
 PHONE: (951) 674-2131  
 FAX: (951) 674-6383  
 www.pacificclay.com

SELECT DESIRED COLOR:

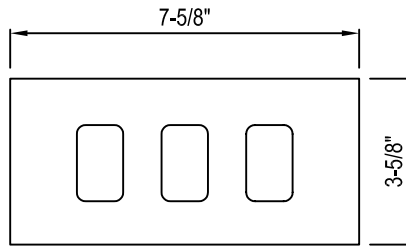
- |  |  |
|--|--|
| <input type="checkbox"/> SUNSET RED    | <input type="checkbox"/> ROYAL SALTILLO  |
| <input type="checkbox"/> RED FLASHED   | <input type="checkbox"/> STERLING GREY   |
| <input type="checkbox"/> BROWN FLASHED | <input type="checkbox"/> LIGHT IRONSPOT  |
| <input type="checkbox"/> BURGUNDY      | <input type="checkbox"/> MEDIUM IRONSPOT |
| <input type="checkbox"/> PUEBLO        | <input type="checkbox"/> DARK IRONSPOT   |
| <input type="checkbox"/> ROSE TAN      | <input type="checkbox"/> AZTEC           |
| <input type="checkbox"/> 190           | <input type="checkbox"/> SANDSTONE       |
| <input type="checkbox"/> 590 DARK      | <input type="checkbox"/> WESTWOOD BUFF   |
| <input type="checkbox"/> 590 LIGHT     | <input type="checkbox"/> OTHER _____     |



ISOMETRIC VIEW

SELECT DESIRED TEXTURE:

- VELOUR  
 SMOOTH (DIESKIN)  
 OTHER \_\_\_\_\_



PLAN VIEW

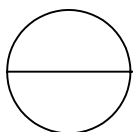


ELEVATION VIEW

| BRICK UNIT NOMENCLATURE | DIMENSIONS (W x H x L)   | TYPE  | UNITS PER SQ. FT. (3/8" JOINT) | STOCK AVAILABILITY                | APPROXIMATE VERTICAL COURSING | WEIGHT  |
|-------------------------|--------------------------|-------|--------------------------------|-----------------------------------|-------------------------------|---------|
| MODULAR FACE BRICK      | 3-5/8" x 2-1/4" x 7-5/8" | CORED | 6.86                           | NORMALLY STOCKED IN SELECT COLORS | 3C= 8 IN.                     | 3.8 LBS |

NOTES:

- PACIFIC CLAY FACE BRICK MEET OR EXCEED THE REQUIREMENTS OF SPECIFICATION ASTM-C-216
- PACIFIC CLAY'S COLORS ARE PRODUCED FROM NATURAL CLAYS - COLOR RANGES ARE INHERENT IN THE PRODUCT AND SHOULD BE SAMPLED ACCORDINGLY
- INDIVIDUAL BRICKS MAY VARY IN DIMENSION AND WEIGHT WHILE MAINTAINING ACCORDANCE WITH ASTM SPECIFICATIONS.
- INSTALLATION TO BE COMPLETED IN ACCORDANCE WITH MANUFACTURER'S SPECIFICATIONS.
- ALL DIMENSIONS ARE CONSIDERED TRUE AND REFLECT MANUFACTURER'S SPECIFICATIONS.
- DO NOT SCALE DRAWING.
- CONTRACTOR'S NOTE: FOR PRODUCT AND COMPANY INFORMATION VISIT [www.CADdetails.com/info](http://www.CADdetails.com/info) REFERENCE NUMBER 3182-001.



**FACE BRICK**

ELITE SERIES: MODULAR BRICK